

CUT SHEET

Velocity® Nest & Fold Tables



THE TABLES THAT ADAPT TO EVERY LEARNING STYLE.

The Velocity Nest and Fold table line offers innovative flip-top functionality designed specifically for educational environments. These versatile tables feature a specialized mechanism allowing tabletops to flip vertically and nest together for compact storage, maximizing valuable classroom space. The Velocity Nest and Fold tables combine space-saving convenience with exceptional durability, making them the ideal solution for modern educational spaces that require flexibility, longevity, and efficient storage capabilities.

KEY SPECIFICATIONS:

- Height-adjustable from 30" to 42" in one-inch increments
- Available with Radius or 90° Corner tops
- Proudly manufactured in Florida, USA
- Industry-leading 30-year warranty
- Environmentally friendly powder-coated steel frame construction
- Oversized mounting plate to prevent wobbling and deflection



INNOVATIVE DESIGNS
FOR CREATIVE SPACES®



CUT SHEET

Velocity® Nest & Fold Tables



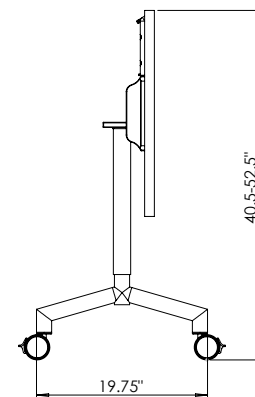
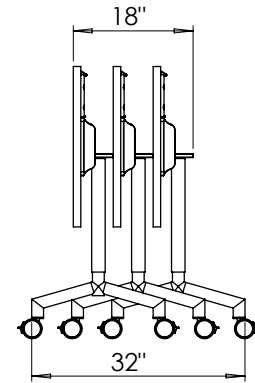
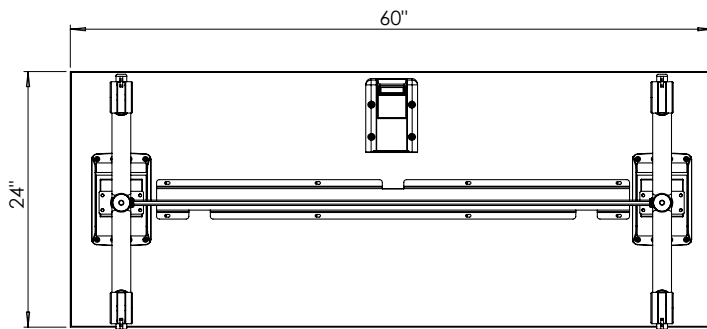
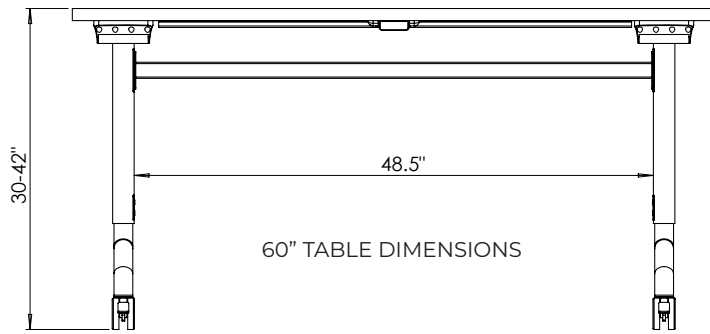
24" DEEP - NEST AND FOLD TABLES

COLLECTION	MODEL #	DESCRIPTION
VELOCITY NEST AND FOLD TABLE	VELNF2460	24X60" RECTANGULAR TABLE. VELOCITY ADJ. LEGS W/ CASTERS (30-42")
VELOCITY NEST AND FOLD TABLE	VELNF2472	24X72" RECTANGULAR TABLE. VELOCITY ADJ. LEGS W/ CASTERS (30-42")

Velocity Nest and Fold available in Platinum frame/legs only, w/ casters only

DIMENSIONS

NESTING DIMENSIONS



INNOVATIVE DESIGNS
FOR CREATIVE SPACES®

CUT SHEET

Velocity® Nest & Fold Tables



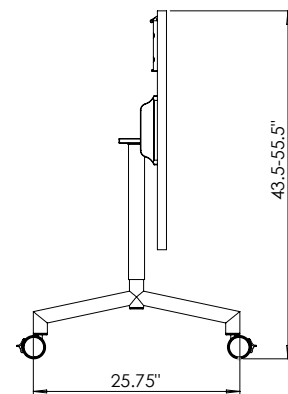
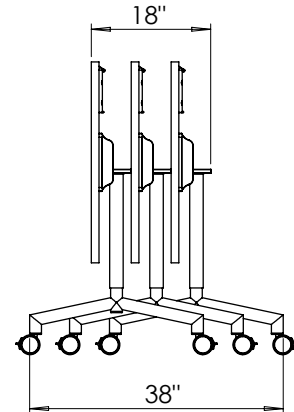
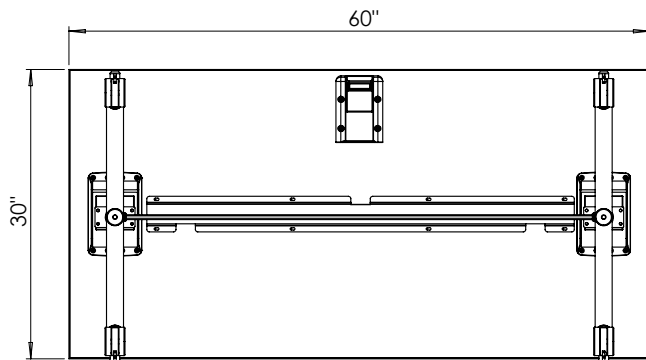
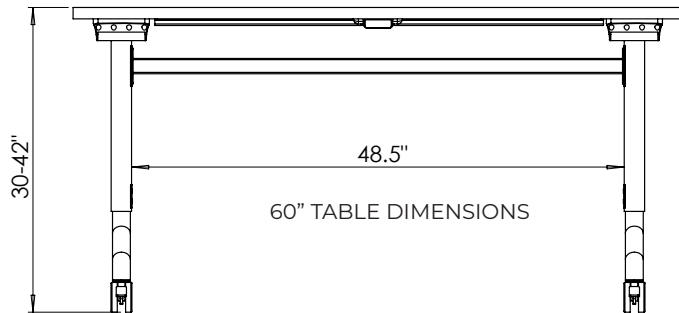
30" DEEP - NEST AND FOLD TABLES

COLLECTION	MODEL #	DESCRIPTION
VELOCITY NEST AND FOLD TABLE	VELNF3060	30X60" RECTANGULAR TABLE. VELOCITY ADJ. LEGS W/ CASTERS (30-42")
VELOCITY NEST AND FOLD TABLE	VELNF3072	30X72" RECTANGULAR TABLE. VELOCITY ADJ. LEGS W/ CASTERS (30-42")

Velocity Nest and Fold available in Platinum frame/legs only, w/ casters only

DIMENSIONS

NESTING DIMENSIONS



INNOVATIVE DESIGNS
FOR CREATIVE SPACES®

CUT SHEET

Velocity® Nest & Fold Tables



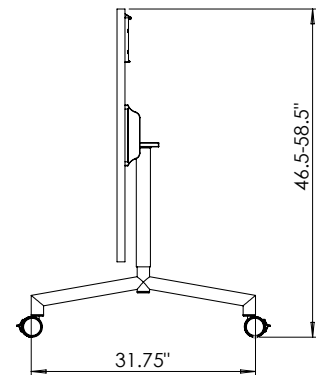
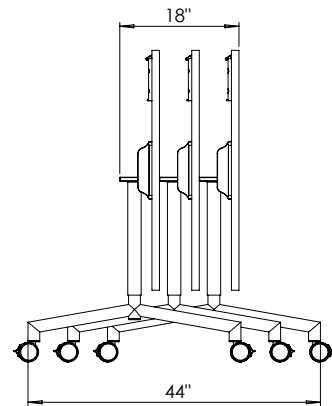
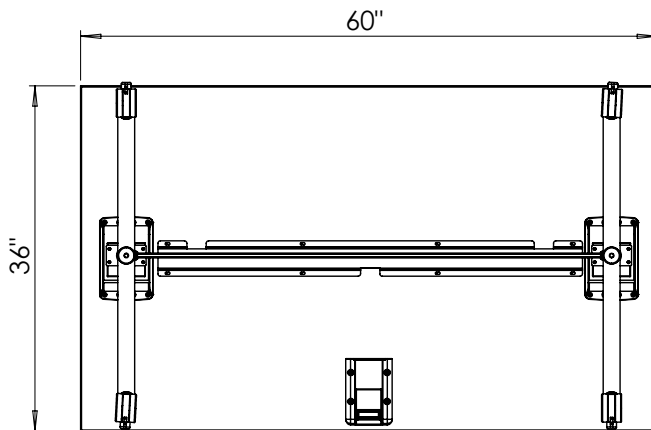
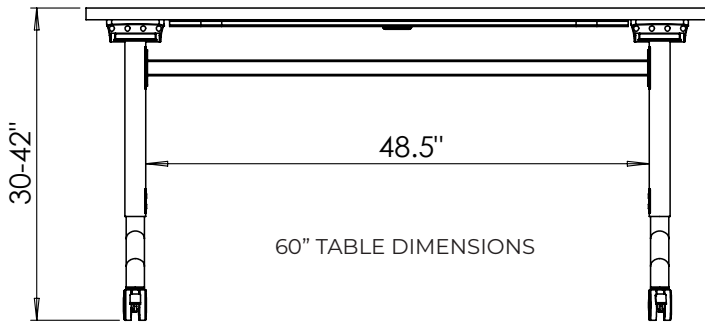
36" DEEP - NEST AND FOLD TABLES

COLLECTION	MODEL #	DESCRIPTION
VELOCITY NEST AND FOLD TABLE	VELNF3660	36X60" RECTANGULAR TABLE. VELOCITY ADJ. LEGS W/ CASTERS (30-42")
VELOCITY NEST AND FOLD TABLE	VELNF3672	36X72" RECTANGULAR TABLE. VELOCITY ADJ. LEGS W/ CASTERS (30-42")

Velocity Nest and Fold available in Platinum frame/legs only, w/ casters only

DIMENSIONS

NESTING DIMENSIONS



INNOVATIVE DESIGNS
FOR CREATIVE SPACES®

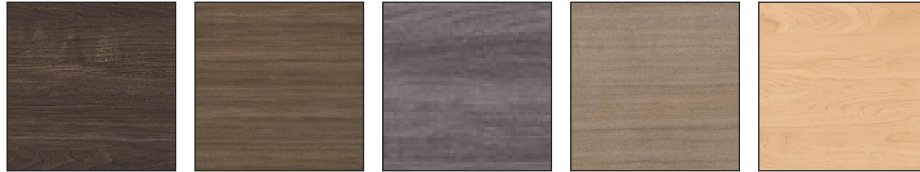
2024 FULL COLLECTION

Materials + Finishes

Standard Worksurfaces

Woods

HP LAMINATE



FLORENCE
WALNUT

STUDIO TEAK

STERLING ASH

FRENCH PEAR

KENSINGTON
MAPLE

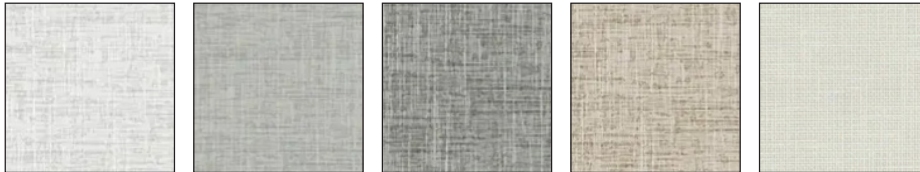


NEW AGE OAK

NEPAL TEAK

Abstracts

HP LAMINATE



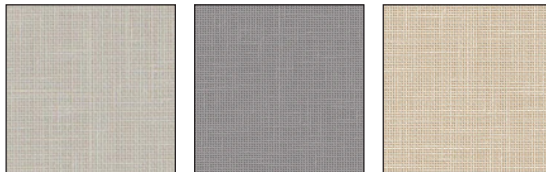
HANDSPUN
PEARL

HANDSPUN
DOVE

HANDSPUN
SLATE

HANDSPUN
CHESTNUT

CRISP LINEN



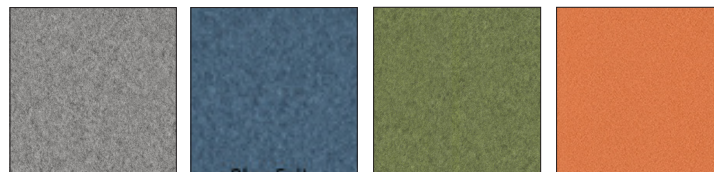
CLASSIC LINEN

PRESSED LINEN

FLAX LINEN

Colors

HP LAMINATE



NATURAL
GREY FELT

BLUE FELT

GREEN FELT

ORANGE FELT



INNOVATIVE DESIGNS
FOR CREATIVE SPACES®

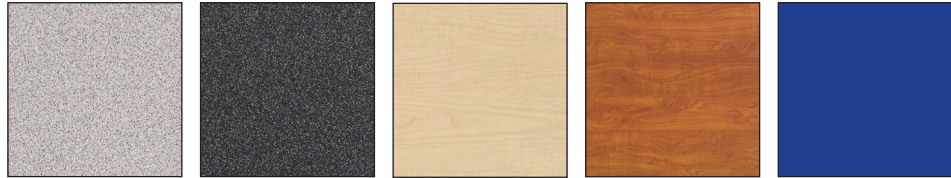
2024 FULL COLLECTION

Materials + Finishes

Standard Worksurfaces

K12 Basics

HP LAMINATE



GREY NEBULA

GRAPHITE
NEBULA

FUSION MAPLE

WILD CHERRY

BLUE

Dryerase

HP LAMINATE

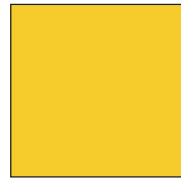


WHITE
MARKERBOARD

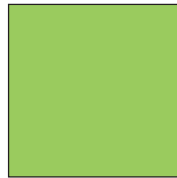
ICE GRAY DRY
ERASE

STARCHED
PAPERFOLD
FORMICA

GLASS CLOTH
FORMICA



CHROME
YELLOW



APPLE GREEN

Science

CHEMICAL
RESISTANT & HPL



CHEM K12



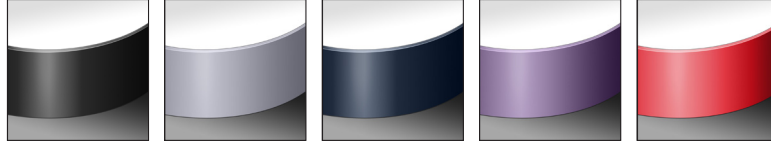
INNOVATIVE DESIGNS
FOR CREATIVE SPACES®

2024 FULL COLLECTION

Materials + Finishes

Standard 2mm Edgebanding

2mm Edge Colors



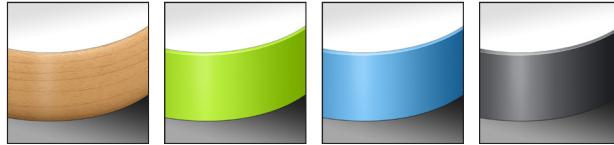
BLACK

PLATINUM

NAVY

PURPLE

RED



MAPLE

LIME

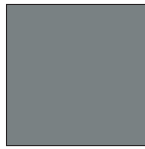
BLUE

PLATINUM

Powder Coat

Powder Coat Colors

VELOCITY
NEST AND FOLD



PLATINUM



INNOVATIVE DESIGNS
FOR CREATIVE SPACES®